

# TH6-42 - NEW

TH



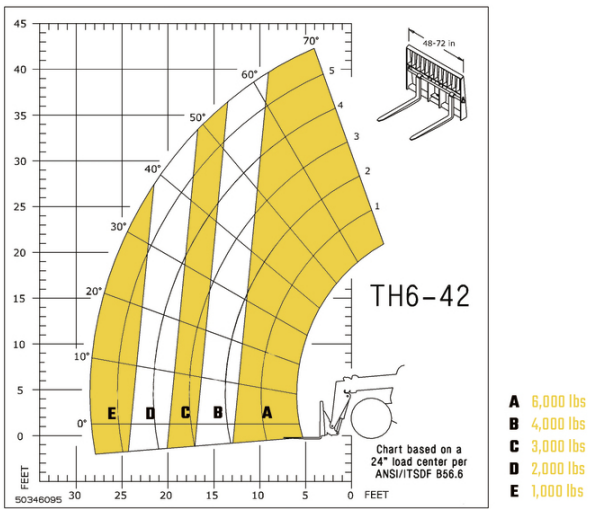
\*Specifications subject to change

# GEHL®

Capacities		Metric	Imperial
Max. capacity		2721.60 kg	6000 lb
Max. lifting height		12.96 m	42 ft 6 in
Max. outreach		8.69 m	28 ft 6 in
Weight and dimensions			
Overall length to carriage	l11	6.30 m	20 ft 8 in
Overall length (with forks)	l1	7.51 m	24 ft 8 in
Overall width	b1	2.48 m	8 ft 2 in
Overall height	h17	2.44 m	8 ft
Wheelbase	y	3.50 m	11 ft 6 in
Ground clearance	m4	0.46 m	1 ft 6 in
Overall cab width	b4	0.95 m	3 ft 1 in
Tilt-up angle	a4	34 °	34 °
Tilt-down angle	a5	96 °	96 °
External turning radius	Wa3	4 m	13 ft 1 in
Overall weight		10365 kg	22851 lb
Tyres type		Pneumatic	Pneumatic
Forks length / width / section	l / e / s	1219 mm x 101 mm / 50.80 mm	48 in x 4 in / 2 in
Frame levelling longitudinal +/-		10 °	10 °
Performances			
Lifting		11 s	11 s
Lowering		6 s	6 s
Extension		17 s	17 s
Retraction		11 s	11 s
Crowd		4 s	4 s
Dump		6 s	6 s
Engine			
Engine brand		Deutz	Deutz
Engine norm		Tier 4 final	Tier 4 final
Engine model		TCD 3.6 L4	TCD 3.6 L4
Number of cylinders / Capacity of cylinders		4 - 3600 cm <sup>3</sup>	4 - 220 in <sup>3</sup>
I.C. Engine power rating - Power (kW)		74 Hp / 55 kW	74 Hp / 55 kW
Max. torque / Engine rotation		390 Nm @ 2300 rpm	288 ft/lbs @ 2300 rpm
Transmission			
Transmission type		Powershift	Powershift
Number of gears (forward / reverse)		5 / 3	5 / 3
Max. travel speed		32 km/h	20 mi/h
Parking brake		SAHR	SAHR
Service brake		Wet disc brakes	Wet disc brakes
Hydraulics			
Hydraulic pump type		Axial piston	Axial piston
Hydraulic flow / Pressure		151 l/min-275.80 bar	40 US gpm-4000 PSI
Tank capacities			
Engine oil		8.51 l	2 US gal
Hydraulic oil		136.30 l	36 US gal
Fuel tank		144 l	38 US gal
Noise and vibration			
Noise at driving position (LpA)		80 dB	80 dB
Miscellaneous			
Steering wheels (front / rear)		2 / 2	2 / 2
Drive wheels (front / rear)		2 / 2	2 / 2

# TH6-42 - NEW - Load chart

Machine on tyres with forks Imperial





# GEHL®

Siège Social  
P.O. Box 179 - One Gehl Way - West Bend, WI, USA 53095  
Tel: (262) 334-9461 - Fax: (262) 338-7517  
[www.gehl.com](http://www.gehl.com)



This brochure describes versions and configuration options for Gehl products which may be fitted with different equipment. The equipment described in this brochure may be standard, optional or not available depending on version. Gehl reserves the right to change the specifications shown and described at any time and without prior warning. The manufacturer is not liable for the specifications given. For more information, contact your Gehl dealer. Non-contractual document. Product descriptions may differ from actual products. List of specifications is not comprehensive. The logos and visual identity of the company are the property of Gehl and may not be used without authorization. All rights reserved. The photos and diagrams contained in this brochure are provided for information only.

MANITOU EQUIPMENT AMERICAS, LLC - Limited company with board of directors - Share capital: 39,668,399 euros - 857 802 508 RCS West Bend