

LIUGONG
NORTH AMERICA

848Hv

WHEEL LOADER

ENGINE
Cummins
B6.7

OPERATING WEIGHT
36,376 lb
(16,500 kg)

RATED POWER
173 hp
(129 kW)

BUCKET SIZE
3.5 yd³
(2.7 m³)



XTRACARE+
WARRANTY

SPECIFICATIONS

ENGINE

Emissions rating	EPA Tier 4 Final / EU Stage V
Make	Cummins
Model	B6.7
Max. gross power	194 hp (145 kW) @ 2,000 rpm
Max. net power	185 hp (138 kW) @ 2,000 rpm
Peak torque	650 lbf-ft (881 N·m) @ 1,300 rpm
Cylinders	6
Displacement	1.77 gal (6.7 L)
Aspiration	Turbocharged & Air-to-air intercooled

TRANSMISSION

Transmission type	Countershaft, powershift
Torque converter	Single stage, three elements
Max. travel speed, fwd	24.2 mph (39 km/h)
Max. travel speed, rev	16.2 mph (26 km/h)
Number of speeds, fwd	4
Number of speeds, rev	3

AXLES

Differential front type	Limited slip
Differential rear type	Limited slip
Axle oscillation	±12°

STEERING

Steering configuration	Big displacement steering Metering/Flow amplification valve
Steering pressure	3,002 psi (20.7 MPa)

BRAKES

Service brake type	Wet disc brake
Service brake actuation	Single pedal+Fully hydraulic
Parking brake type	Drum
Parking brake actuation	SAHR

HYDRAULIC SYSTEM

Main pump type	Piston
System pressure	3,771 psi (26 MPa)
Raise	5.2 s
Dump time	1.5 s
Float down time	3.2 s
Total cycle time	9.9 s

BUCKET PERFORMANCE

Bucket capacity	3.5 yd ³ (2.7 m ³)
-----------------	---

TIRES

Tire size	23.5R25
-----------	---------

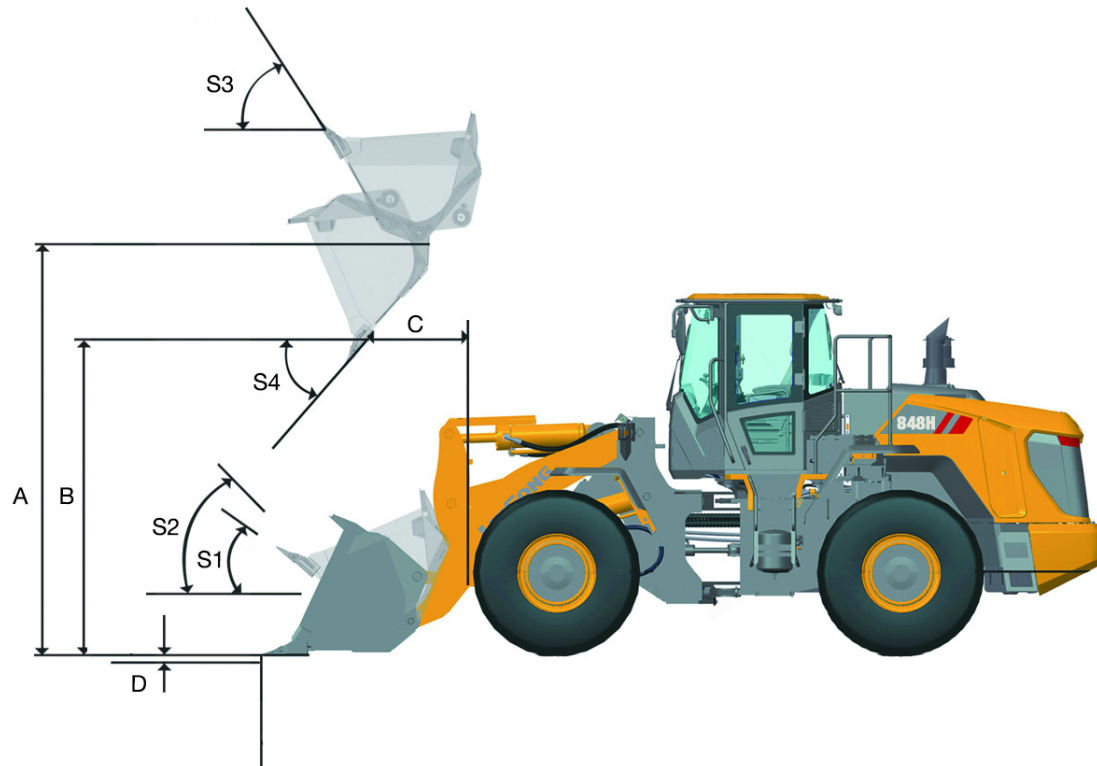
OPERATING WEIGHT

Operating weight	36,376 lb (16,500 kg)
------------------	-----------------------

SERVICE CAPACITY

Fuel tank	52.8 gal (200 L)
Engine oil	3.8 gal (14.2 L)
Cooling system	11.6 gal (44 L)
Hydraulic system	47.6 gal (180 L)
Transmission	10.6 gal (40 L)
Axle, front	11.6/11.4 gal (44/43 L)
Axle, rear	11.6/12.7 gal (44/48 L)
DEF tank	12.9 gal (49 L)

SPECIFICATIONS



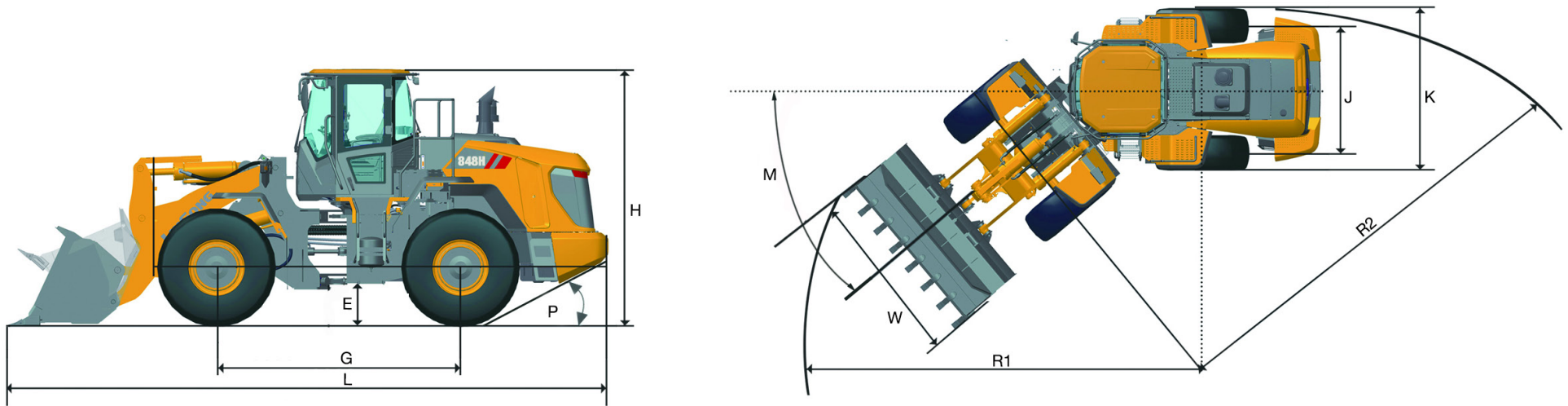
LOADER ARM PERFORMANCE WITH ATTACHMENT

Description

Tipping load - straight	25,673 lb (11,645 kg)
Tipping load - full turn	22,690 lb (10,292 kg)
Bucket breakout force	26,302 lbf (117 kN)
A Maximum hinge pin height	12 ft 11 in (3,937 mm)
B Dump clearance at full height discharge	9 ft 1 in (2,774 mm)
C Dump reach at full height discharge	3 ft 10 in (1,170 mm)
D Max. digging depth, bucket level	3 in (75 mm)
S ₁ Bucket rollback at ground level	44.5°
S ₂ Bucket rollback at carry	48.5°
S ₃ Bucket rollback at max. height	62°
S ₄ Max. dump angle at full height	45°

SPECIFICATIONS

EXCLUSIVELY FOR DEALER



DIMENSIONS

Description

E	Ground clearance	1 ft 4 in (400 mm)
G	Wheelbase	10 ft 0 in (3,050 mm)
H	Cab height	11 ft 2 in (3,394 mm)
J	Wheel tread	7 ft 1 in (2,150 mm)
K	Width over tires	8 ft 9 in (2,670 mm)
L	Length with bucket down	26 ft 3 in (8,030 mm)
M	Turn angle, either side	38°
P	Rear angle of departure	28°
R ₁	Turning radius, bucket carry	21 ft 4 in (6,494 mm)
R ₂	Turning radius, outside of tire	18 ft 0 in (5,475 mm)
W	Width over bucket	9 ft 7 in (2,920 mm)

LGNA-SS-848HV-202211-ENG-US

Specifications and designs are subject to change without notice.
Machines shown may include optional equipment.

LiuGong Construction Machinery N.A., LLC.
22220 Merchants Way - Suite 100
Katy, TX 77449
USA

T: 281-579-8882
www.liugongna.com

F: 281-579-8388